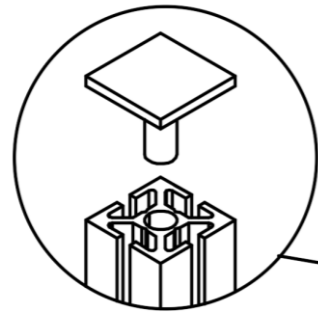


# Protective Desk Screen Installation Guide

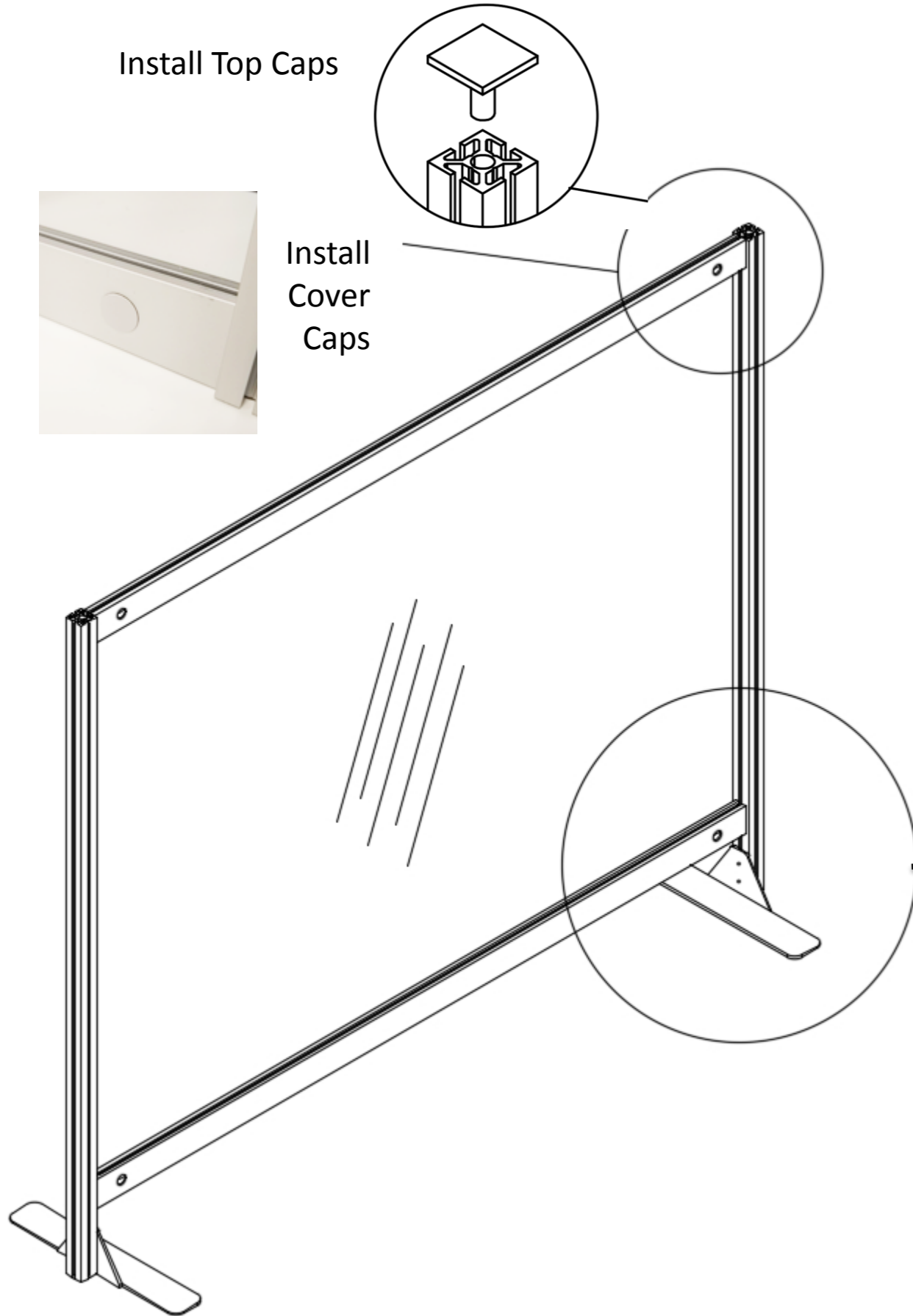


Linear Model

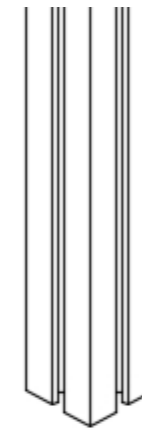
Install Top Caps



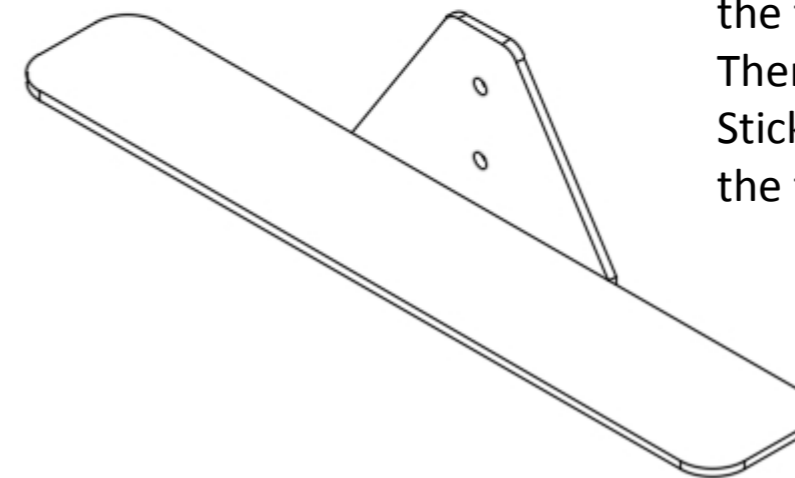
Install Cover Caps



Install Feet



Loosen the screws on the weld tabs enough so that the foot will slide into the post channel. Then tighten the weld tabs on the foot. Stick rubber bumpers onto bottom of the foot

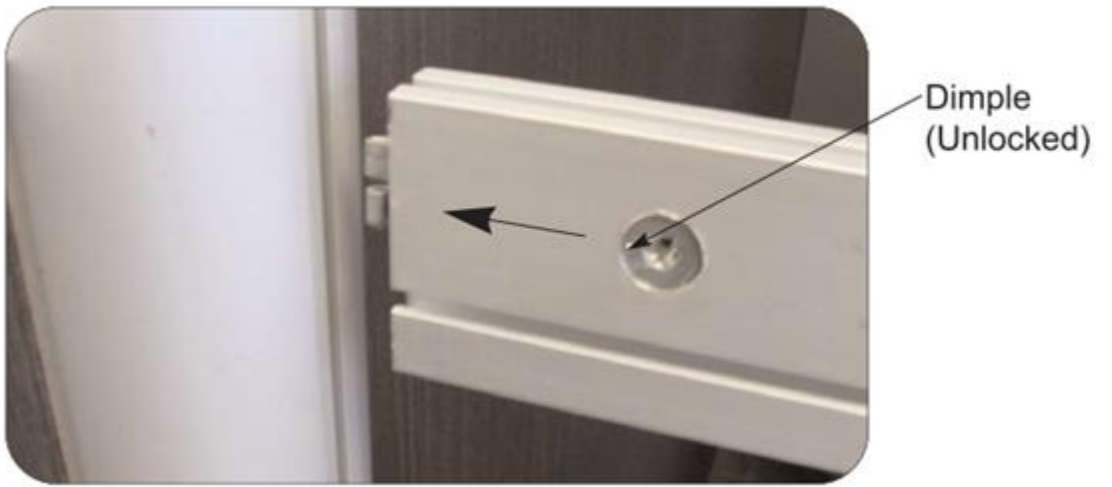
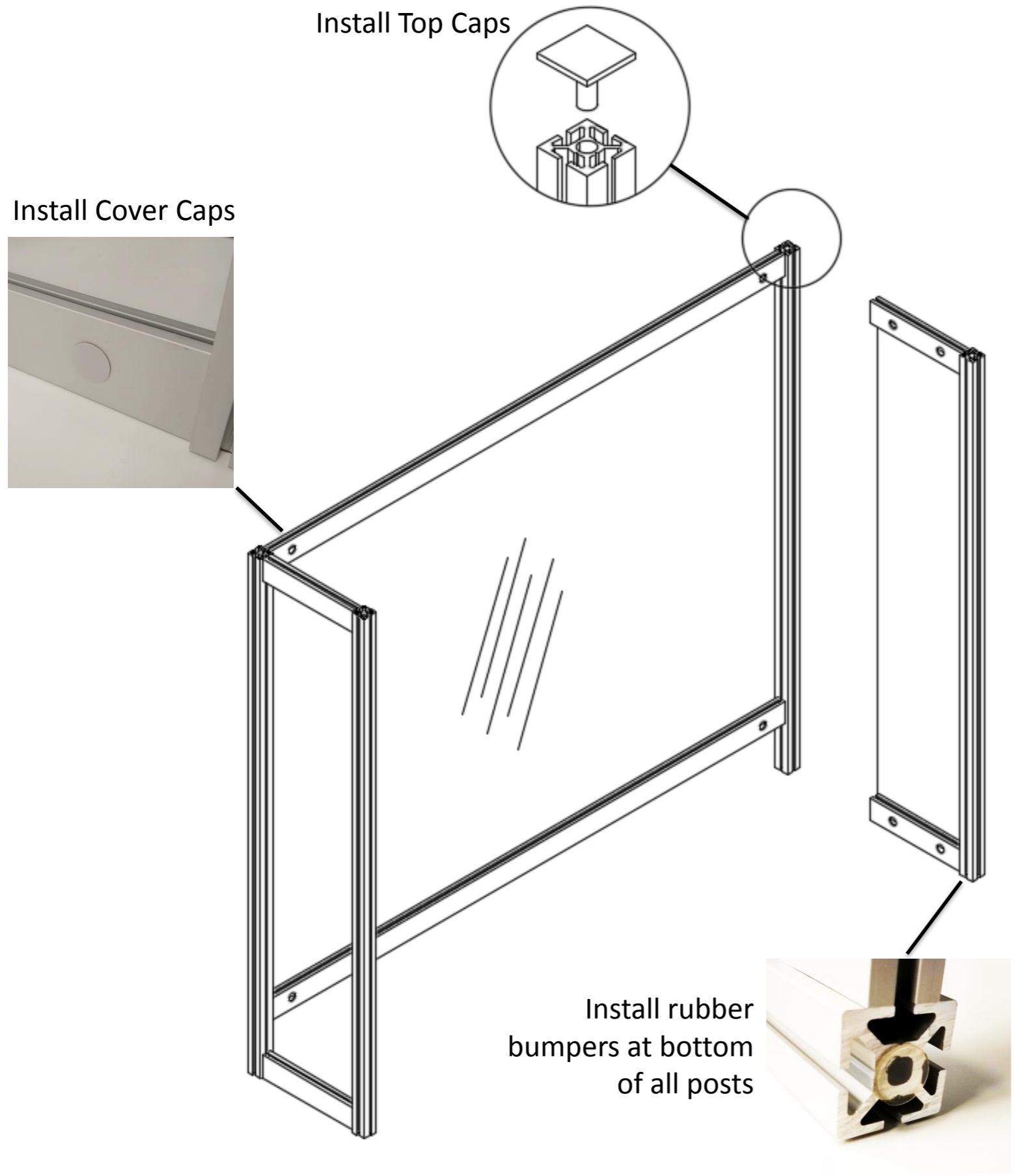


# Protective Desk Screen Installation Guide



Enclose Model

# How to assemble



Step 1: Place exposed end of lock in the channel of the post. Take note of the dimple's orientation. It shows the hook can slide into the channel.



Step 2: Rotate the lock 180°. T30 Torx is preferred, 4mm Hex key also works – found at any hardware store



Note – DO NOT over-turn the lock it can break